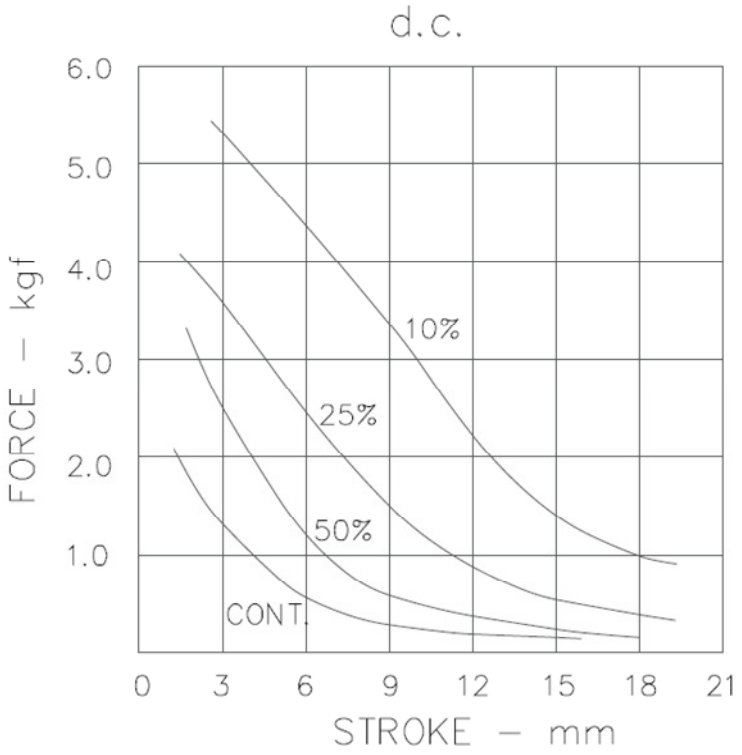
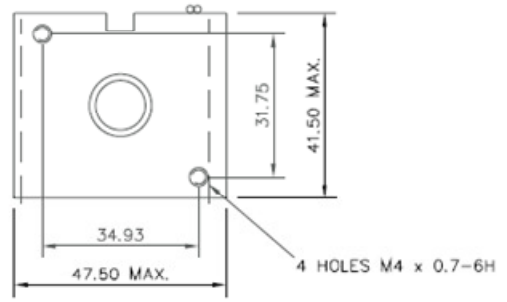
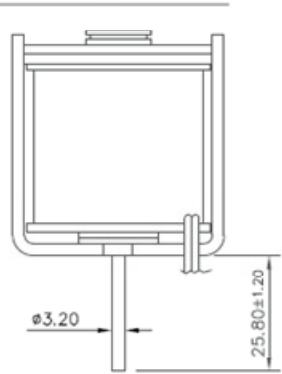


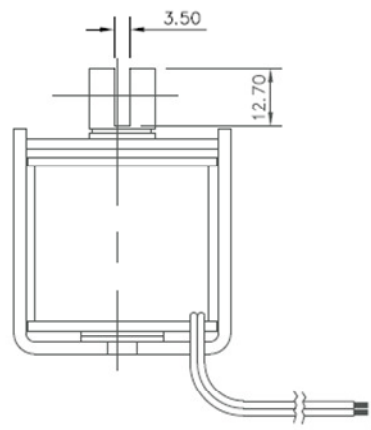
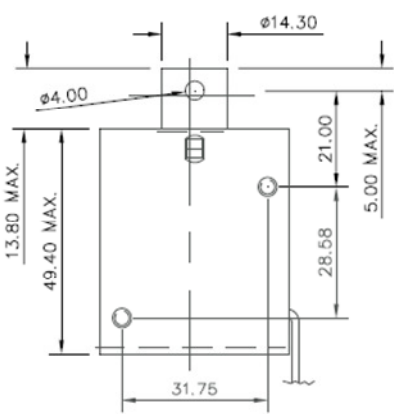
REVISIONS			
REV	DESCRIPTION	DATE	APPROVED



PUSH TYPE - SHOWN ENERGISED



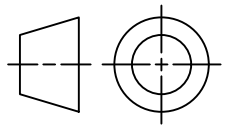
PULL TYPE - SHOWN ENERGISED



**SPECIFICATION**

Power at 100% Duty	12W
Max ON Time at 100%	Continuous
Power at 50% Duty	24W
Max ON Time at 50%	255 Seconds
Power at 25% Duty	48W
Max ON Time at 20%	120 Seconds
Power at 10% Duty	120W
Max ON Time at 10%	35 Seconds
Weight (g)	425

Illustrative Photo



**FS-1650S Open Frame Solenoid (Push Type)**

iNOVA Microsystems Pte Ltd  
 #06-30, NorthStar @ AMK  
 7030 Ang Mo Kio Ave  
 Singapore 569880  
 Email: sales@inovamicro.com  
 Tel: (65)65703826 Fax: (65)62344235



DRAWN	Sunny	SIZE	FSCM NO	DWG NO
Dec 2013		A4		
SCALE				SHEET 1 OF 1

